

**EVALUATION REPORT OF  
UNION CORRUGATING COMPANY  
'NOM 0.032" THICK ALUMINUM SL150'**

**FLORIDA BUILDING CODE 6TH EDITION (2017)  
FLORIDA PRODUCT APPROVAL  
FL 20484.4-R1  
ROOFING  
METAL ROOFING**

**Prepared For:  
Union Corrugating Company  
701 S. King St.  
Fayetteville, NC 28301  
Telephone: (910) 483-0479  
Fax: (910) 483-1091**

**Prepared By:  
Bala Sockalingam, Ph.D., P.E.  
Florida Professional Engineer #62240  
1216 N Lansing Ave., Suite C  
Tulsa, OK 74106  
Telephone: (918) 492-5992  
FAX: (866) 366-1543**

**This report consists of  
Evaluation Report (3 Pages including cover)  
Installation Details (1 Page)  
Load Span Table (1 Page)**

**Report No. C2175-4  
Date: 8.23.2017**



Manufacturer: Union Corrugating Company

Product Name: SL150

Panel Description: Standing seam panel with max. 16" wide coverage and 1.5" high ribs

Materials: Nom. 0.032" thick (min.) 3004-H14 or 3105-H24 Alloy (ASTM B209).

Deck Description: Min. 7/16" thick OSB or min. 15/32" thick APA rated plywood or min. 3/4" thick wood plank (min SG of 0.42) for new and existing constructions. Designed by others and installed as per FBC 2017.

Underlayment: Minimum underlayment as per FBC 2017 Section 1507.4.5.1.

Slope: 1/4:12 or greater in accordance with FBC 2017 Section 1507.4.2

Design Uplift Pressure:  
(Factor of Safety = 2) 45.0 psf at clip spacing of 24" o.c.  
78.5 psf at clip spacing of 6" o.c.  
86.0 psf at clip spacing of 6" o.c. with 3/8" diameter bead sealant in panel seam in min. 15/32" thick APA rated plywood

Panel Attachment: SL150 standard clip (2.25" long, 20 ga.) with (2) #10-12 x 1" long pancake head screws per clip. Fastener shall be of sufficient length to penetrate through the deck a minimum of 1/4".

Seam Sealant: Advanced Polymer Sealant APS 500. In lieu of APS 500, adhesive/sealant with greater or equal tensile properties may be used.

Test Standards: Roof assembly tested in accordance with UL580-06 'Uplift Resistance of Roof Assemblies' & UL1897-04 'Uplift Tests for Roof Covering Systems'.

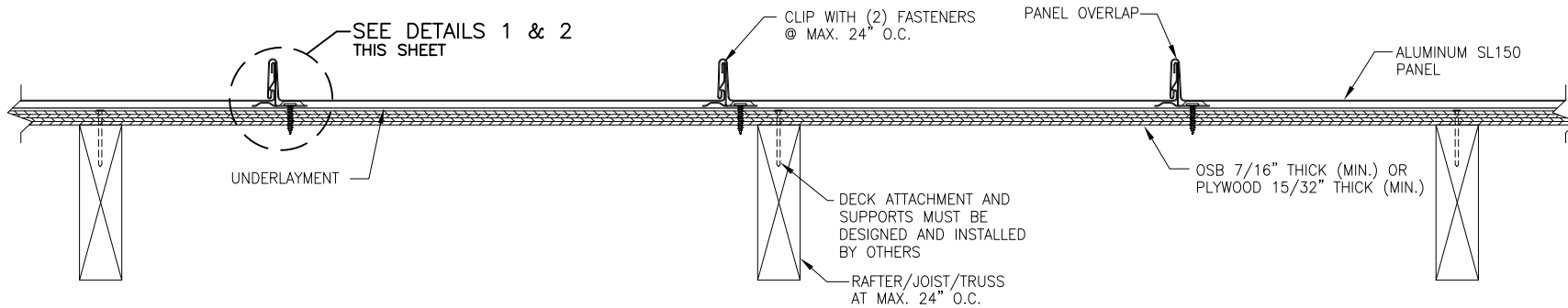
Test Equivalency: The test procedures in UL 1897-04 comply with test procedures prescribed in UL 1897-12.

Code Compliance: The product described herein has demonstrated compliance with FBC 2017 Section 1507.4

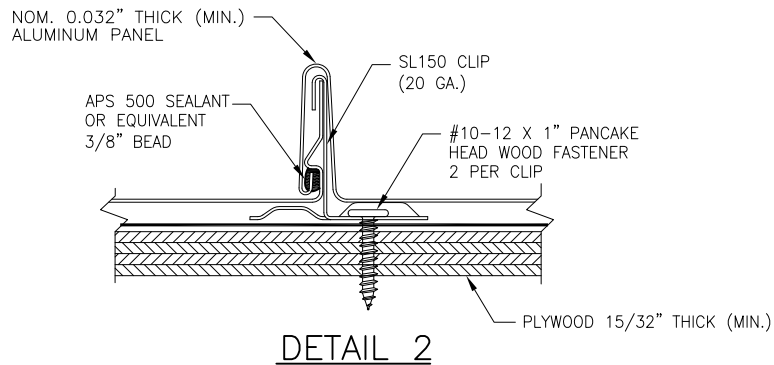
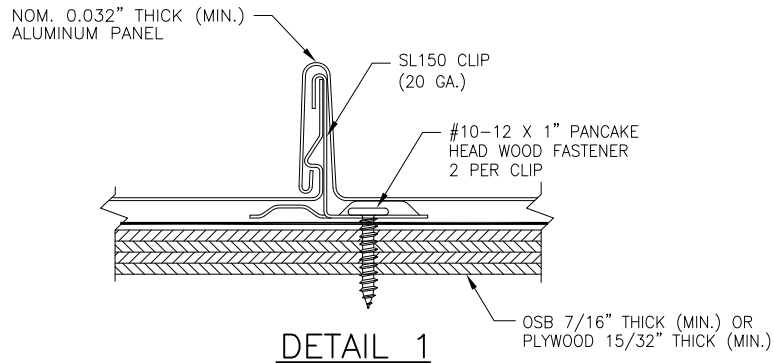
Product Limitations: Design wind loads shall be determined for each project in accordance with FBC 2017 Section 1609 or ASCE 7-10 using allowable stress design. The maximum clip spacing listed herein shall not be exceeded. The design pressure for reduced clip spacing may be computed using rational analysis prepared by a Florida Professional Engineer or based on Union load span table. This evaluation report is not applicable in High Velocity Hurricane Zone. Fire classification is not within scope

of this Evaluation Report. Refer to FBC 2017 Section 1505 and current approved roofing materials directory or ASTM E108/UL790 report from an accredited laboratory for fire ratings of this product.

Supporting Documents: UL580 & UL1897 Test Reports  
Farabaugh Engineering and Testing Inc.  
Project No. T277-15, Reporting Date 9/30/15  
Project No. T285-15, Reporting Date 10/16/15



### TYPICAL PANEL INSTALLATION X-SECTION



#### ALLOWABLE UPLIFT PRESSURE

FASTENER SPACING ALONG RIB	SEAM SEALANT DIAMETER	PRESSURE (PSF)
24"	NONE	45.0
6"	NONE	78.5
6"	3/8"	86.0

#### GENERAL NOTES:

1. ARCHITECTURAL ROOF PANEL HAS BEEN DESIGNED IN ACCORDANCE WITH THE FLORIDA BUILDING CODE (FBC).
2. ROOF PANELS ARE SHALL BE NOM. 0.032" THICK (MIN.) ALUMINUM. EFFECTIVE COVERING WIDTH OF PANEL = 16".
3. ROOF PANELS SHALL BE INSTALLED OVER SHEATHING & STRUCTURE AS SPECIFIED ON THIS DRAWING.
4. REQUIRED DESIGN WIND LOADS SHALL BE DETERMINED FOR EACH PROJECT. THIS PANEL SYSTEM MAY NOT BE INSTALLED WHEN THE REQUIRED DESIGN WIND LOADS ARE GREATER THAN THE ALLOWABLE WIND LOAD TABLE.
5. ALL FASTENERS MUST BE IN ACCORDANCE WITH THIS DRAWING & THE FLORIDA BUILDING CODE. IF A DIFFERENCE OCCURS BETWEEN THE MINIMUM REQUIREMENTS OF THIS DRAWING & THE CODE, THE CODE SHALL CONTROL.
6. RAFTERS/JOISTS/TRUSSES MUST BE DESIGNED TO WITHSTAND WIND LOADS AS REQUIRED FOR EACH APPLICATION AND ARE THE RESPONSIBILITY OF OTHERS.

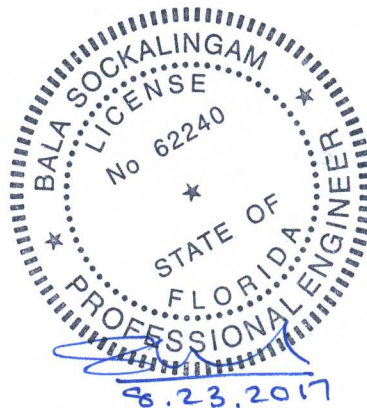
DRAWN BY: B.S.	CHECKED BY: J.S.	DATE: 10/24/15	
PLOT:			
DATE:			
BY:			
REVISION DESCRIPTION:			
NO.			
<b>DRAWING TITLE: ALUMINUM SL150 PANEL</b> MANUFACTURER: <b>UNION CORRUGATING CO.</b> 701 S. KING STREET FAYETTEVILLE, NC 28301 910-483-2195 CONSULTANTS: <b>BALA SOCKALINGAM, PH.D., P.E.</b> 1216 N LANSING AVE, SUITE C TULSA, OK 74106 PHONE: 918-492-5992 FAX: 866-366-1543			
DRAWING NO.	REV.		
<b>C2175-4</b>			
SHEET NO.			
1		OF 1	

**Union Corrugating Company**  
**Aluminum SL150 Panel Uplift Loads**  
**(Nom. 0.032" Thick)**

Description	Fastener Spacing along panel length (in)	Uplift Design Load (psf)
Coverage width: 16"	<b>6</b>	<b>78.5</b>
	9	72.9
	12	67.3
	15	61.8
	18	56.2
	21	50.6
	<b>24</b>	<b>45.0</b>

**Notes:**

1. The bold numbers indicate design loads calculated from test data with safety factor of 2.
2. Panels must be installed as per Evaluation Report FL 20484.4 and Union current installation procedure.



1216 N Lansing Ave., Suite C  
Tulsa, Ok 74106  
918 492 5992

Bala Sockalingam, Ph.D., P.E.  
FL 62240